

# Self-Cleaning Filters

## MODEL DELTA-STRAIN 600-RS

### For Viscose and Super-Viscose Media

The DELTA-STRAIN is a logic, cost-efficient and environmental-protecting way of filtration. DELTA-STRAIN is the trade name of DELTAFILTER Filtrationssysteme GmbH.

- No cartridge filters waste
- Special design of self-cleaning without interruption of process
- Quick and easy cleaning with the *complete demountable filter unit with cleaning- and conveyance-system*
- Low operating costs due to a long service life
- Solid filter housing, in two parts, with closure of segment-screw clamps and a conical collector for the dirt
- No special spare part stockholding is necessary
- Simple and time-saving maintenance – no dismantling of pipelines
- Filter rates nominal 25 µm – 3000 µm

#### OPTIONS

Ex-protection ATEX-conformable acc. directive 2014/34/EU, perforated elements for gel-like particles, fibres, algae etc., special voltage, special materials, special seals, sluices, coatings, heating jacket, TÜV acceptance etc.

#### Some branches of industry for example:

Automobile industry  
Chemical industry  
Electronics industry  
Paint and lacquer industry  
Semiconductor industry  
Cosmetic industry  
Plastics industry  
Beverages and food industry  
Metalworking and steel industry  
Mineral oil industry  
Paper industry  
Pharma industry  
Water supply and wastewater treatment companies etc.



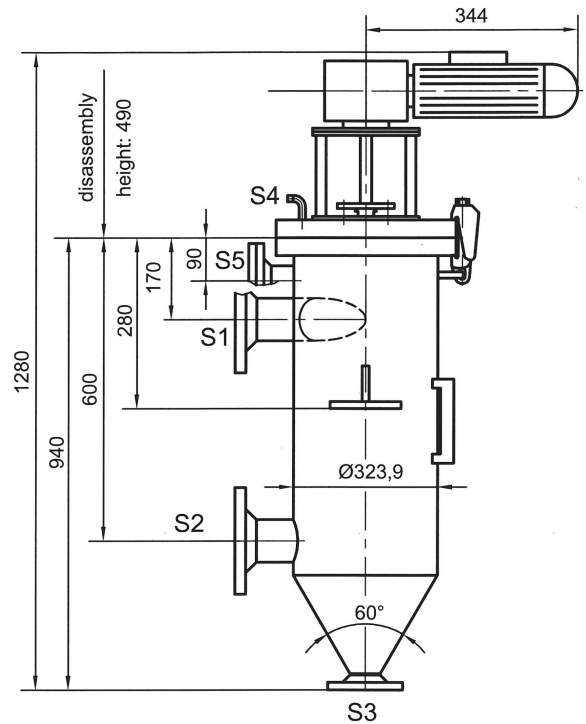
DELTA-STRAIN 600-RS,  
1.4571, 10 bar

Please take care of the product description and the technical dimensions on the back ▶

## Product Description

The filter housing, constructed of two parts, has a cover with motor holder and gear motor. The cover can be dismantled upwards and the closure is done by segment-screw clamps. The filter system of DELTAFILTER Filtrationssysteme GmbH is extremely robust and is designed for extreme applications. The filter element with cleaning- and conveyance-system can be dismantled upwards as one unit without special tools. The dirt is removed from the filter element by two flexible scraper-blades of stainless steel. The conveyance-system carries the dirt in the conical collector. The main flow direction in the filter is from top to bottom. This also supports the sedimentation. The dirt in the collector can be discharged by a manual or an automatic cut-off device. An automatic purge system includes an actuator and a time controller. Liquid losses are limited. Sluices can be delivered optionally for the concentration of the dirt. The standard type of the filter housing has two dummy sheets.

## DELTA-STRAIN 600-RS



## Technical data

Design and calculation:	PED 2014/68/EU, AD2000
Material of housing:	1.4571 (316 Ti) <sup>1, 2</sup>
Material of filter element:	1.4435 (316 L), 1.4404 (316 L), 1.4571 (316 Ti)
Max. allowable pressure:	10 bar <sup>1</sup>
Max. allow. temperature:	80°C <sup>1</sup>
Housing gasket:	O-ring FPM
Filter rates nominal:	25 µm – 3000 µm <sup>3</sup>
Weight (empty):	ca. 145 kg
Drive:	gear motor
Motor data:	400 V, 50 Hz, 120/180 W <sup>1</sup>
Motor protection:	IP65 <sup>1</sup>

Flow capacity:  
(in relation to clean water)

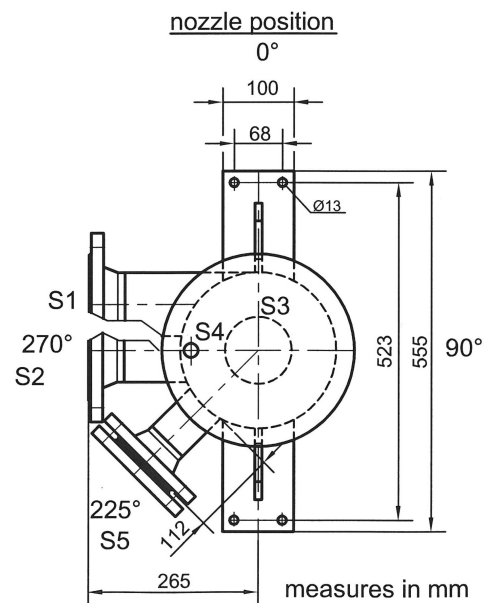
50 - 100 µm	150µm
72 m³/h	85 m³/h

## Connections

S1 Inlet	DN100, PN16, Form B1 (tangential)
S2 Outlet	DN100, PN16, Form B1
S3 Discharge	DN80, PN16, Form B1
S4 Ventilation	R 3/8" with ball-valve and hose nipple
S5 Flushing	DN50, PN16, Form B1

Illustration, weights and measures are only indices.

We manufacture self-cleaning filters in special construction and alternative material! Our self-cleaning filters of range DELTA-STRAIN are available for flow capacities up to 250 m³/h as standard versions – higher flow capacities on request.



- <sup>1</sup> Optional other materials, pressures, temperatures, voltages, protection ratings etc.
- <sup>2</sup> Surface pickled and passivated
- <sup>3</sup> Optional perforated elements (gel-like particles, fibres, algae etc.)

We will prepare a detailed quotation for you. Test filters are available.

07/16 - Technical changes reserved!