

Bag-Filter

TYPE DELTA-BF

For Hydrous, Viscose and Super-Viscose Media

The DELTA-BF is a logic, cost-efficient and environmental-protecting way of filtration. DELTA-BF is the trade name of DELTAFILTER Filtrationssysteme GmbH.

- Robust and user-friendly filter housing of stainless steel 1.4571, surface pickled and passivated
- Pressure rating PN10 for the housing as standard
- Cover lock with hasp screws and ring nuts of galvanized steel
- Housing and support basket seal by O-rings of FPM
- Quick and simple fitting and removal of filter bags and high-quality support basket
- Filter bag held down by a removable pressing device, which can be cleaned easily
- Support baskets of stable stainless steel wire netting (material stainless steel 1.4401) with large free surface for mounting of all filter bag types
- Bag sizes with various filter surfaces are suitable
- High flow rates by the use of housing combinations or housings with many filter bags
- Erected using feet, which are adjustable in height, or optionally with clamp for a mounting on the wall



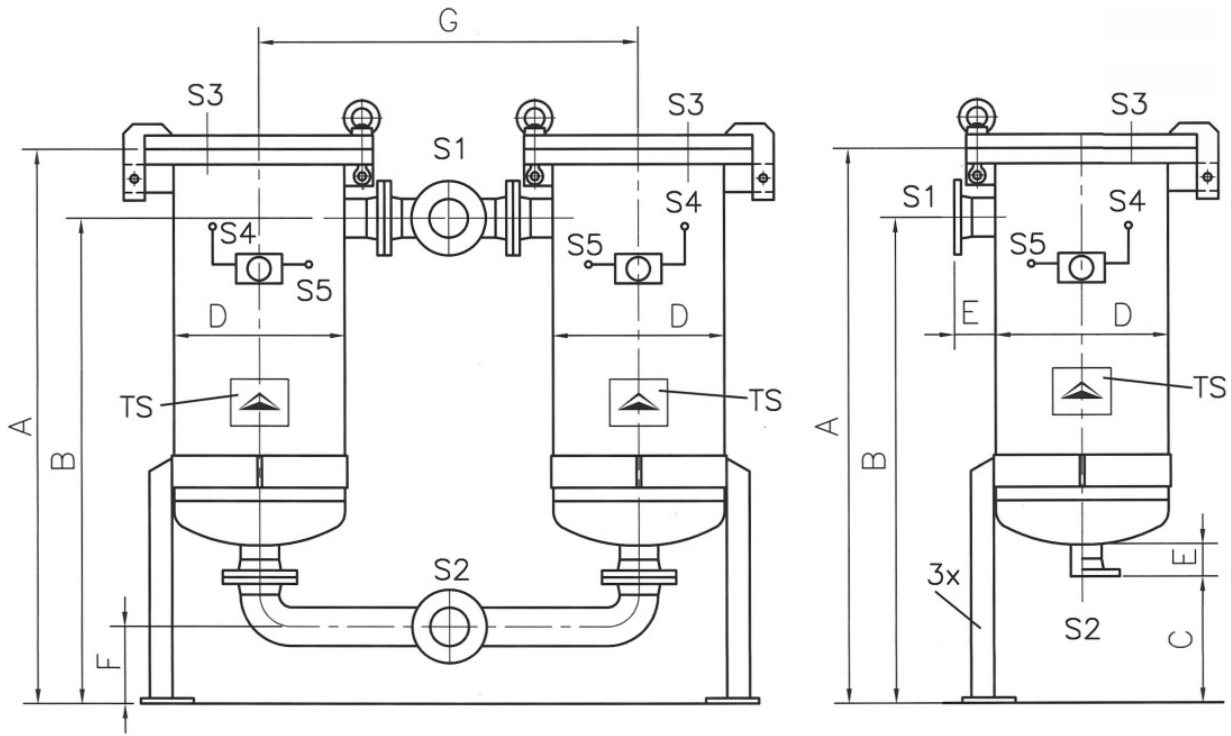
DELTA-BF-K-1-2-2

OPTIONAL

- Differential pressure indicator with and without electrical contact for remote transfer, magnetic inserts, vent valves, displacement elements etc.
- Rated widths as specified, cover closure by DELTA quick-acting closure, housing of carbon steel or special materials (also in plastic design), coating inside, heating jacket etc.
- Alternative sealing materials such as FEP/FPM or EPDM
- High design pressures and temperatures
- Dual filter with change-over facility
- TÜV acceptance

Examples of industrial applications:

Automotive industry, chemical industry, electronics industry, dye and paint industry, semi-conductor industry, clarification plant operators, cosmetic industry, plastics industry, food and drink industry, metal industry, mineral oil industry, optics industry, paper industry, pharmaceutical industry, steel industry, water utility etc.



type	DELTA-BF-K-1-1-2	DELTA-BF-K-1-2-2	DELTA-BF-K-1-2-3	DELTA-BF-K-1-2-2-D	DELTA-BF-K-1-2-3-D
inlet S1	socket 2" BSP optional with flange DN50, PN16, B1	socket 2" BSP optional with flange DN50, PN16, B1	flange DN80, PN16, B1	flange DN50, PN16, B1	flange DN80, PN16, B1
outlet S2	socket 2" BSP optional with flange DN50, PN16, B1	socket 2" BSP optional with flange DN50, PN16, B1	flange DN80, PN16, B1	flange DN50, PN16, B1	flange DN80, PN16, B1
vent S3	3/8" BSP, optional with ball-valve	3/8" BSP, optional with ball-valve	3/8" BSP, optional with ball-valve	3/8" BSP, optional with ball-valve	3/8" BSP, optional with ball-valve
differential press. (+) S4	socket 1/4" BSP	socket 1/4" BSP	socket 1/4" BSP	socket 1/4" BSP	socket 1/4" BSP
differential press. (-) S5	socket 1/4" BSP	socket 1/4" BSP	socket 1/4" BSP	socket 1/4" BSP	socket 1/4" BSP
hinged lid	yes	yes	yes	yes	yes
cover closure	hasp screws	hasp screws	hasp screws	hasp screws	hasp screws
filter area m ²	0.25	0.5	0.5	1.0	1.0
setting up	feet	feet	feet	feet	feet
measure A in mm	920	1240	1240	1240	1540
measure B in mm	835	1155	1155	1155	1305
measure C in mm	socket: 330 flange: 300	socket: 330 flange: 300	— flange: 300	— —	— —
measure D in mm	Ø219.1	Ø219.1	Ø219.1	Ø219.1	Ø219.1
measure E in mm	socket: 50 flange: 80	socket: 50 flange: 80	— flange: 80	— —	— —
measure F in mm	—	—	—	177	131
measure G in mm	—	—	—	601	655
weight in kg (empty)	35	41	46	88	95

Illustration and dimensions are reference values only.

We will prepare a detailed quotation for the individual types on request.

07/16 - Technical changes reserved!