

# Self-Cleaning Filters

## MODEL DELTA-STRAIN

### For Hydrous, Viscose and Super-Viscose Media

The DELTA-STRAIN is a logic, cost-efficient and environmental-protecting way of filtration. DELTA-STRAIN is the trade name of DELTAFILTER Filtrationssysteme GmbH.

- No filter cartridge disposal
- Self-cleaning without interruption of process
- Fast and easy to dismount for inspection of filter element
- Low operating costs due to a long service life
- Solid filter housing, in two parts, for easy and time saving maintenance
- Filter rates nominal from 25 µm – 3000 µm

#### OPTIONAL

⊕-protection ATEX-conformable acc. directive 2014/34/EU, perforated elements for gel- like particles, fibres, algae etc., quick closure, special voltage, special materials, sluices, coatings, high-pressure version, heating jacket, mechanical seals, TÜV acceptance etc.

#### Some typical applications:

**Chemical industry** Ammonia, Solvents, Softening agents, Glycoles, Adhesives, Chemical base materials, Cooling water, Suspensions, Lyes, Waste liquids etc.

**Paint and lacquer industry** Varnishes, Dispersions, Coatings, Tar products, Agents etc.

**Beverage industry** Wineries (Must filtration), Breweries, Distilleries etc.

**Cosmetic industry** Soaps, Fats, Essences, Tooth-pastes etc.

**Plastics industry** Base products, PVC and PU Pastes, Rubber products, Silicones etc.

**Foods industry** Sweets, Milk, Dairy products, Oils, Fats, Flavours, Concentrates, Treacles etc.

**Mineral oil industry** Oils, Greases, Solvents, Waste oils, Diesel, Oil etc.

**Automobile industry** Refrigeration and Lubrication liquids, Greases etc.

**Electro industry, Optic industry, Pulp & Paper industry, Leather industry, Sugar industry, Water supply companies** etc.



DELTA-STRAIN 110-D/L  
1.4571, 10 bar

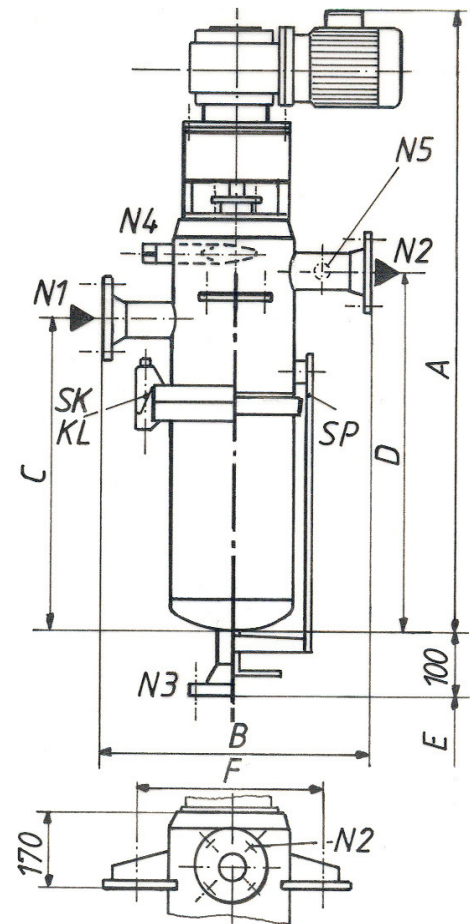
Please take care of the product description and the technical dimensions on the back ▶

## Product Description

The filter housing, constructed of two parts, is easy to dismount. The lower part, including the sump, should be removed downwards. Only the models with heating shell require a dismounting upwards by removing cover, motor and filter element simultaneously. The filter system of DELTAFILTER Filtrationssysteme GmbH is extremely robust and designed for extreme applications. The filter elements can be removed without special tools, if required. When reinserting the element, no special position is required. Retained particles are removed from the filter element by means of a flexible scraper manufactured of stainless steel. Then the dirt is directed to the sump, the collection chamber of the filter housing. The collection chamber can be discharged either manually or automatically through a valve. An automatic purge system includes an actuator and a time controller<sup>4</sup>. Liquid losses are limited. The automatic strainer is available either skid mounted or with support legs.

Design and calculations:	PED 2014/68/EU, AD 2000 <sup>1</sup>
Filter housing material:	1.4571 <sup>1,2</sup>
Filter insert material:	1.4404, 1.4435, 1.4571 <sup>1</sup>
Max. allow. pressure:	6 bar <sup>1</sup>
Max. allow. temperature:	80°C <sup>1</sup>
Seals:	FPM, PTFE <sup>1</sup>
Filter rates nominal:	25 µm – 3000 µm <sup>3</sup>
Motor data:	400 V, 50 Hz, 180 W <sup>1</sup>
Motor protection:	IP65 <sup>1</sup>

## DELTA-STRAIN 70-D/L to 326-D/L



Flow capacity in relation to clean water for: 50-100 µm filtration 150 µm filtration	DELTA-STRAIN 70-D/L 12 m³/h 18 m³/h	DELTA-STRAIN 110-D/L 24 m³/h 26 m³/h	DELTA-STRAIN 175-D/L 36 m³/h 45 m³/h	DELTA-STRAIN 326-D/L 72 m³/h 75 m³/h
Inlet N1	2" BSP standard or Flange DN 50, PN 16, Form B1	Flange DN 65, PN 16, Form B1	Flange DN 80, PN 16, Form B1	Flange DN 100, PN 16, Form B1
Outlet N2	2" BSP standard or Flange DN 50, PN 16, Form B1	Flange DN 65, PN 16, Form B1	Flange DN 80, PN 16, Form B1	Flange DN 100, PN 16, Form B1
Discharge N3	2" BSP standard or Flange DN 50, PN 16, Form B1	2" BSP standard or Flange DN 50, PN 16, Form B1	2" BSP standard or Flange DN 50, PN 16, Form B1	2" BSP standard or Flange DN 50, PN 16, Form B1
Vent, cleaning N4/N5	3/4" BSP tangential N4	3/4" BSP tangential N4	3/4" BSP tangential N4	3/4" BSP tangential N4, 2" BSP N5
max. allowed pressure up to 6 bar	Quick locking clamp SP	Quick locking clamp SP	Segment-screw clamps KL	Segment-screw clamps KL
max. allowed pressure 6 -10 bar and more	Segment-screw clamps KL	Segment-screw clamps KL	Segment-screw clamps KL	Segment-screw clamps KL
Built-in height A in mm	800	925	990	1420
Dimension of flange B in mm	370	370	470	600
Height of flange C in mm	290	415	465	970
Height of flange D in mm	420	545	610	970
Disassembly height E in mm	350	450	450	800
Fixing measurement F in mm	350	350	420	475
Nominal requirement in watt	180	180	180	180
Weight in kg - empty	46	52	68	86

Illustration, weights and measures are reference values only!

We manufacture self-cleaning filters in special construction and alternative material! Our self-cleaning filters of range DELTA-STRAIN are available for flow capacities up to 250 m³/h as standard versions – higher flow capacities on request.

- <sup>1</sup> Optional other materials, pressures, temperatures, voltages, protection ratings etc.
- <sup>2</sup> Surface pickled and passivated
- <sup>3</sup> Optional perforated elements (gel-like particles, fibres, algae etc.)
- <sup>4</sup> Optional locks for the rejection

We will prepare a detailed quotation for you. Test filters are available.

07/16 - Technical changes reserved!