

Basket filter TYPE DELTA-OV

Single filter Multibasket

For Hydrous, Viscose and Super-Viscose Media

The DELTA-OV is a logic, cost-efficient and environmental-protecting way of filtration.

- Compact and space saving filter housing
- In- and outlet on the same height
- Quick release fastener to open the filter cover easily (single-hand control)
- Quick and easy mounting and demounting of the stainless steel baskets
- Low pressure drop
- Easy to handle
- Nominal diameter connection from DN200 to DN250
- Filter meshes from 50 µm up to 6350 µm
- Special baskets with meshes from 10 µm to 25 µm as pleated versions available



DELTA-OV DN200

OPTIONAL

Differential pressure indicators with and without electrical contact for remote transmission, magnetic columns, pleated baskets etc.

Description

The single basket filters of our DELTA-OV series offer a cost-efficient method to clean liquids and to regain valuable solid state bodies as well as they protect piping, controls and instruments. The compact filter is a cast design and is supplied with high quality stainless steel baskets

Some branches of industry for example:

Automobile industry, beverages and food industry, chemical industry, cosmetic industry, metalworking and steel industry, mineral oil industry, paint and lacquer industry, paper industry, water supply companies etc.

Standard basket data

Perforated plate-Perforation per square inch	Concinnity in micrometers	Free area in percent
11	6350	54
33	3170	39
124	1600	38
Concinnity in MESH		
20	910	53
30	560	42
40	380	40
60	250	35
80	190	34
120	130	32
200	80	36
300	50	32

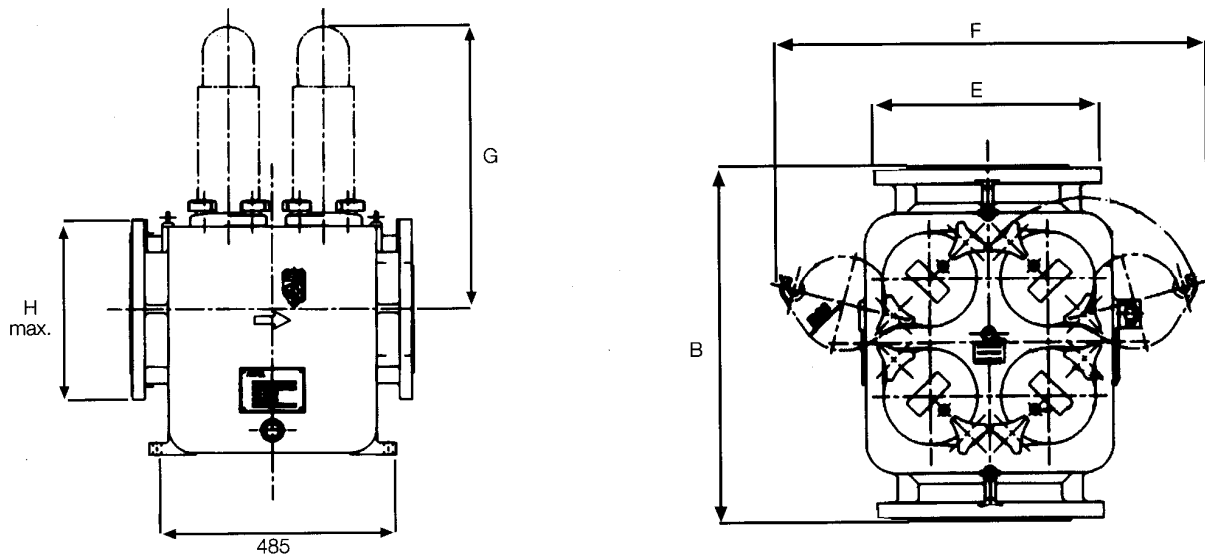
SPECIFICATION

Type	OV	OV/S	OV/SS
Body and cover material	Cast iron EN 1561/EN-JL 1030	Cast steel EN 10213-2/1.0625	Stainless steel casting EN 10213-4/1.4408
Max. working pressure	13,8 bar at 50°C	13,8 bar at 50°C	13,8 bar at 50°C
Baskets	Stainless steel 1.4571/1.4401	Stainless steel 1.4571/1.4401	Stainless steel 1.4571/1.4401
Drain plugs	Brass	Stainless steel	Stainless steel
Sealings (standard)	FPM	FPM	FPM
Paintwork	Blue	Silver	None

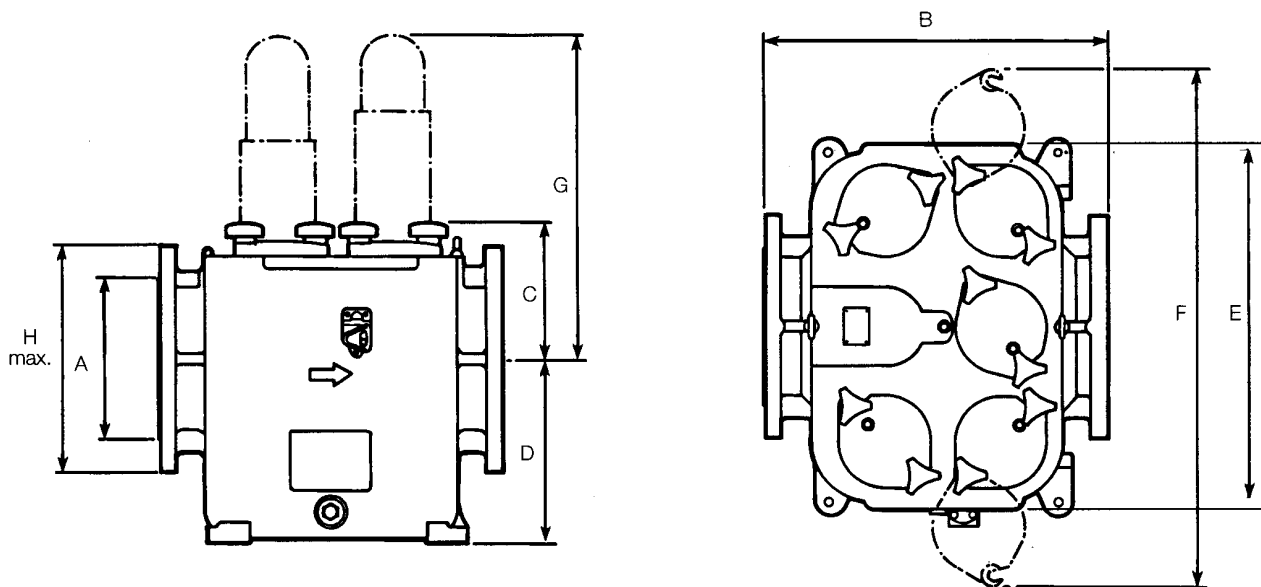
DELTAFILTER also provides other sealing materials on request.

Dimensions and weights

DELTA - OV DN 200



DELTA - OV DN 250



FLANGES drilled according german DIN (ANSI and BS optional available)

	A	B	C	D	E	F	G	H	N Drain	Area per basket	Weight
DN200	200	595	230	308	420	658	610	381	½" BSP	3560 cm ²	260 kg
DN250	250	595	276	272	600	908	610	445	½" BSP	4536 cm ²	391 kg