

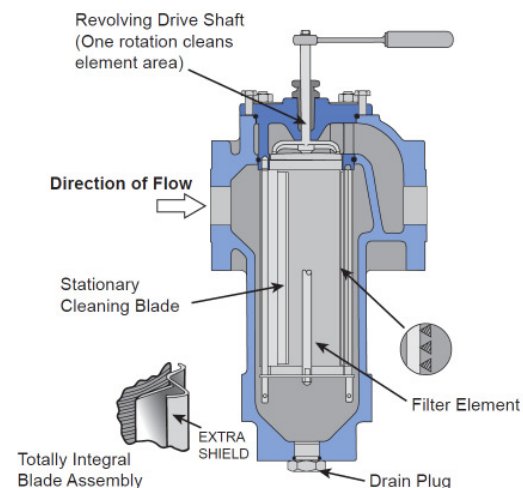
Self-Cleaning Filters Model DELTA-SCF For Hydrous, Viscose and Super-Viscose Media

The DELTA-SCF is a logic, cost-efficient and environmental-protecting way of filtration.

- No filter cartridge disposal
- Self-cleaning without interruption of process
- Low operating costs due to a long service life
- Filter rates nominal 25 µm – 3000 µm
- In- and outlet at the same level
- Quick and easy inspection of filter element
- Internal parts made of stainless steel
- Screwed or flanged filters
- Head made of cast iron or stainless steel
- Sump made of stainless steel
- Manual and automatic cleaning
- Simple and time-saving maintenance – no dismantling of pipelines
- No special spare part stockholding is necessary

OPTIONAL

- Special voltage
- Perforated elements for gel-like particles, fibres, algae etc.
- High pressure version
- Automatic drain system
- Differential pressure control
- Sluices etc.



DELTA-SCF-300F-SS/SS

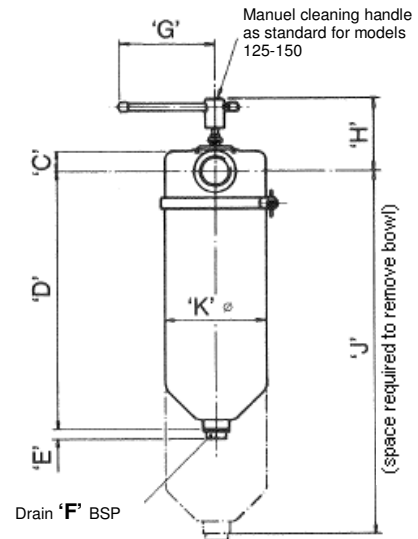
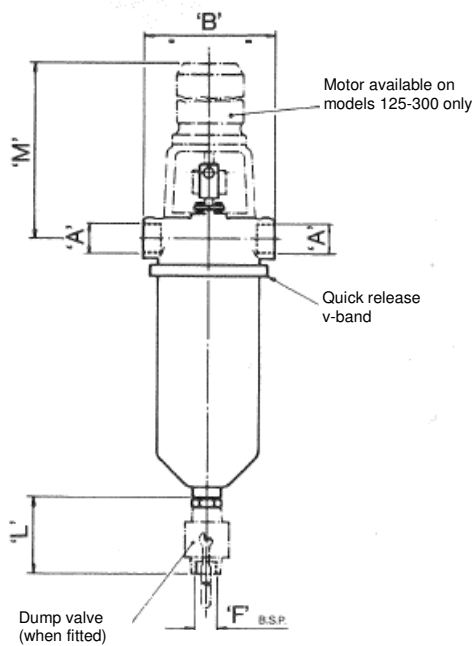
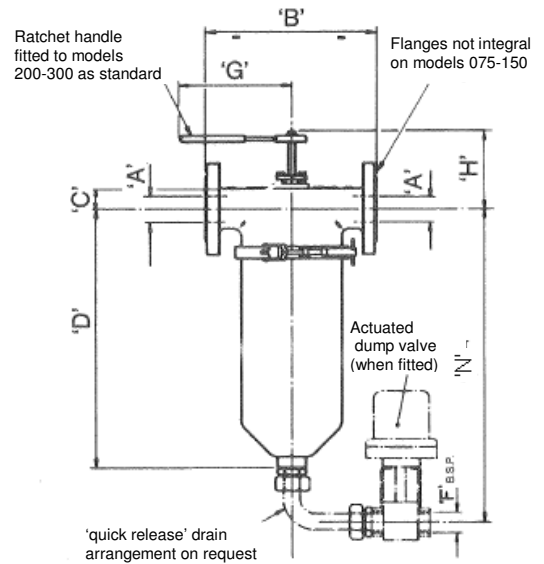
Some typical applications :

Automobile industry
Chemical industry
Paint and lacquer industry
Cosmetic industry
Plastics industry
Food and beverage industry
Mineral oil industry
Metal working and steel industry
Paper industry
Water supply companies

Product Description

The filter housing, constructed of two parts, is easy to dismount. The filter system of DELTAFILTER Filtrationssysteme GmbH is extremely robust and is designed for extreme applications. The filter elements can be removed without special tools, if required. When reinserting the element, no special position is required. Retained particulates are removed from the filter element by scrapers manufactured of stainless steel. The dirt can be removed by a ball valve or an automatic system controlled by time or differential pressure. Liquid losses are limited. Sluices can be delivered optionally for the concentration of the dirt.

DELTA-SCF



Screwed filters – standard program

Modell	A	B	C	D	E	F	G	H	J	K	L	M	kg
075	¾" BSP	150	24	273	13	½" BSP	185	80	450	114	-	-	7
100	1" BSP	150	24	273	13	½" BSP	185	80	450	114	-	-	7
125	1 ¼" BSP	208	32	404	20	1" BSP	185	133	640	160	110	445	11,2
150	1 ½" BSP	208	32	404	20	1" BSP	185	133	640	160	110	445	11,2
200	2" BSP	220	40	458	20	1" BSP	185	133	665	160	110	447	19

dimensions in mm

Flanged filters – standard program

Modell	A	B	C	D	E	F	G	H	J	K	L	M	kg
125	1 ¼"	270	32	404	20	1" BSP	185	133	640	160	110	445	11
150	1 ½"	270	32	404	20	1" BSP	185	133	640	160	110	445	11
200	2"	270	40	458	20	1" BSP	185	133	665	160	110	447	25
300	3"	300	56	575	20	2" BSP	185	148	895	190	160	461	41

dimension in mm

Illustrations, weights and measures are only indices!

07/16 – Technical changes reserved