

Bag-Filter

TYPE DELTA-BFS7

For Hydrous, Viscose and Super-Viscose Media

The DELTA-BF is a logic, cost-efficient and environmental-protecting way of filtration. DELTA-BFS7 is the trade name of DELTAFILTER Filtrationssysteme GmbH.

- Robust and user-friendly filter housing of stainless steel, surface pickled, passivated and polished
- Designed for the filtration of fluids
- Cover lock with lashing ring
- Housing sealed by O-ring
- Quick and easy assembly of filter bag and support basket
- The support basket is in conjunction with the filter bag self adjusting. A pressing device respectively an additional O-ring is not necessary
- Support basket of stable stainless steel perforated metal plate with large free filter area for the uptake of filter bags with plastic collar
- Bag filter housings available for different filter bag sizes
- Erected using feet, which are adjustable in height
- High flow rates by the use of housing combinations



DELTA-BFS7, size 1 and 2

OPTIONAL

- Ventilation valve, displacement elements, flange connection, nominal size acc. specification, dual station with switch over device etc.

Examples of industrial applications:

Dye and paint industry, water treatment, automotive industry, chemical industry, electronics industry, semi conductor industry, clarification plant operators, cosmetic industry, plastics industry, food and drink industry, metal industry, mineral oil industry, optics industry, paper industry, pharmaceutical industry, steel industry, water utility etc.

Product Description

Two part filter housing with domed cover. The cover is closed by a lashing ring. The housing seal is done by an O-ring. The filter housing is delivered as standard with feet, which are adjustable. A pressing device for the filter bag and support basket is not needed. Thereby the mounting and the dismounting is very easy. A complex cleaning of the single parts is not necessary.

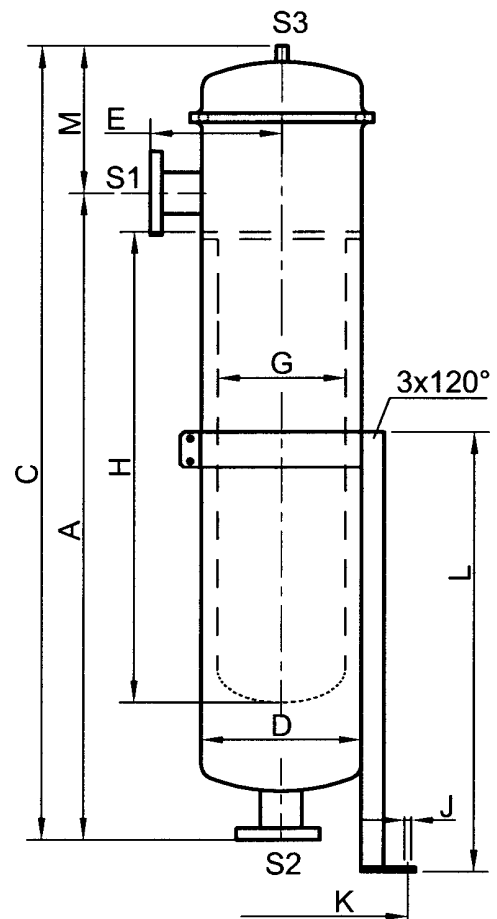
Technical data

material housing:	AISI 304 ¹
material support basket:	AISI 304 ¹
max. allowable pressure:	7 bar
max. allowable temperature:	75°C
housing seal:	O-ring EPDM ²
design calculation :	PED 2014/68/EU
classification:	section 4, paragraph 3 (sound engineering practice)

¹ optional material AISI 316 or AISI 316L

² optional FEP/FPM or FPM O-ring

DELTA-BFS7



Type	DELTA-BFS7-1-1-2	DELTA-BFS7-1-2-2	DELTA-BFS7-1-3-1	DELTA-BFS7-1-4-1
inlet S1	socket 2" BSP optional with flange DN50, PN16	socket 2" BSP optional with flange DN50, PN16	socket 1" BSP optional with flange DN25, PN16	socket 1" BSP optional with flange DN25, PN16
outlet S2	socket 2" BSP optional with flange DN50, PN16	socket 2" BSP optional with flange DN50, PN16	socket 1" BSP optional with flange DN25, PN16	socket 1" BSP optional with flange DN25, PN16
ventilation S3	1/4" BSP	1/4" BSP	1/4" BSP	1/4" BSP
cover closure	lashing ring	lashing ring	lashing ring	lashing ring
filter area in m ²	0.25	0.5	0.10	0.15
setting up	feet	feet	feet	feet
measure A in mm	550	1005	360	495
measure C in mm	740	1195	538	673
measure D in mm	Ø232	Ø232	Ø180	Ø180
measure E in mm	176	176	150	150
measure G in mm	Ø172	Ø172	Ø98	Ø98
measure H in mm	350	730	200	310
measure J in mm	Ø10	Ø10	Ø10	Ø10
measure K in mm	Ø323	Ø323	Ø252	Ø252
measure L in mm	520	520	350	350
measure M in mm	190	190	178	178
volume in litre	27	46	11	14
weight in kg (empty)	21	26	14	15

Illustration and dimensions are reference values only.

We will prepare a detailed quotation for the individual types on request.

07/16 – Technical changes reserved.