

Self-Cleaning Filters

MODEL DELTA-STRAIN 480-S/L

For Hydrous, Viscose and Super-Viscose Media

The DELTA-STRAIN is a logic, cost-efficient and environmental-protecting way of filtration. DELTA-STRAIN is the trade name of DELTAFILTER Filtrationssysteme GmbH.

- No cartridge filters waste
- Self-cleaning without interruption of process
- In- and outlet at the same height
- Robust and user-friendly filter housing in two parts with DELTA-spindle-quick-action-cover-closure for one hand operation – no tool is required to open and close the housing!
- Low operating costs due to a long service life
- No special spare part stockholding is necessary
- Simple and time-saving maintenance – no dismantling of pipelines
- Filter rates nominal 25 µm – 3000 µm

OPTIONS

⊕-protection ATEX-conformable acc. directive 2014/34/EU, perforated elements for gel-like particles, fibres, algae etc., special voltage, special seals, automatic drain-system, sluices, heating jacket, differential pressure indicator, wall-holder, TÜV acceptance etc.

Some branches of industry for example:

Automobile industry
Chemical industry
Electronics industry
Dye, paint and lacquer industry
Semiconductor industry
Cosmetic industry
Plastics industry
Beverages and food industry
Metalworking and steel industry
Mineral oil industry
Paper industry
Pharma industry
Water supply and wastewater treatment companies etc..



DELTA-STRAIN 480-S/L,
1.4571, 10 bar

Please take care of the product description and the technical dimensions on the back ▶

Product Description

The filter housing, constructed in two parts, has a sump with DELTA-spindle-quick-action-cover-closure for one hand operation. The sump can be dismantled downwards. The filter system of DELTAFILTER Filtrationssysteme GmbH is extremely robust and designed for extreme applications. If required, the filter element can be dismantled completely without special tools. Seals are not needed for the filter element. The dirt is removed of the filter element by flexible scraper-blades of stainless steel and sinks downwards in the mud reservoir of the sump. The dirt can be discharged by a manual ball-valve or optional by an automatic cut off device, which can be controlled by the time or by the differential pressure. Liquid losses are limited. Sluices can be delivered optionally for the concentration of the dirt.

Technical data

Design and calculations:	PED 2014/68/EU, AD2000
Material of housing:	1.4571 (316Ti) ^{1,2}
Material of filter element:	1.4435 (316L), 1.4404 (316L), 1.4571 (316Ti)
Material of other internal parts:	1.4571 (316Ti), 1.4310
Max. allowable pressure:	10 bar ¹
Max. allowable temperature:	80°C ¹
Housing seal:	O-ring FPM ¹
Filter rates nominal:	25 µm – 3000 µm ³
Weight (empty):	ca. 48 kg
Drive:	gear-motor
Motor data:	400 V, 50 Hz, 180 W ¹
Motor protection:	IP65 ¹

Flow capacity:
(in relation to clean water)

50 - 100 µm	150µm
36 m³/h	45 m³/h

Connections

S1 Inlet	BSP 3" inner thread ⁴
S2 Outlet	BSP 3" inner thread ⁴
S3 Discharge	BSP 1" outer thread ⁴
S4 Differential pressure (+)	BSP 1/4" inner thread
S5 Differential pressure (-)	BSP 1/4" inner thread

Illustration, weights and measures are only indices.

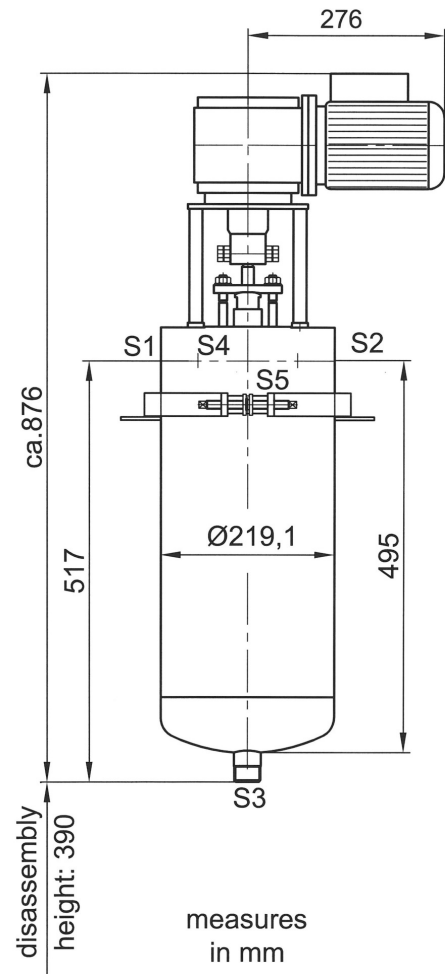
We manufacture self-cleaning filters in special construction and alternative material!

Our self-cleaning filters model DELTA-STRAIN are available for flow capacities up to 250 m³/h as standard versions – higher flow capacities on request.

We will prepare a detailed quotation for you. Test filters are available.

07/16 - Technical changes reserved!

DELTA-STRAIN 480-S/L



¹ Optional other materials, pressures, temperatures, voltages, protection ratings etc.

² Surface pickled and passivated

³ Optional perforated elements (gel-like particles, fibres, algae etc.)

⁴ Optional with flange connections or welding male part according to German DIN 11851