

## Bag-Filter

# TYPE DELTA-BFS10G

## For Hydrous, Viscose and Super-Viscose Media

The DELTA-BF is a logic, cost-efficient and environmental-protecting way of filtration. DELTA-BFS10G is the trade name of DELTAFILTER Filtrationssysteme GmbH.

- Robust and user-friendly filter housing of stainless steel, surface pickled, passivated and polished
- Designed for the filtration of fluids
- Cover lock with hasp screws
- Housing seal by O-ring
- Quick and easy assembly of filter bag and support basket
- The support basket is in conjunction with the filter bag self adjusting, a pressing device respectively an additional o-ring is not necessary
- Support basket of stable stainless steel perforated metal plate with large free filter area for the uptake of filter bags with plastic collar
- Bag filter housings available for different filter bag sizes
- Erected using feet, which are adjustable in height
- High flow rates by the use of housing combinations



DELTA-BFS10G, size 4 and 2

### OPTIONAL

- Ventilation valve, displacement elements, flange connection, nominal size acc. specification, dual station with switch over device etc.

### Examples of industrial applications:

Dye and paint industry, water treatment, automotive industry, chemical industry, electronics industry, semi conductor industry, clarification plant operators, cosmetic industry, plastics industry, food and drink industry, metal industry, mineral oil industry, optics industry, paper industry, pharmaceutical industry, steel industry, water utility etc.

## Product Description

Two part filter housing with domed cover. The cover is closed by hasp screws and hexagon nuts. The housing seal is done by an O-ring. The filter housing is delivered as standard with feet, which are adjustable. A pressing device for the filter bag and support basket is not needed. Thereby the mounting and the dismounting is very easy. A complex cleaning of the single parts is not necessary.

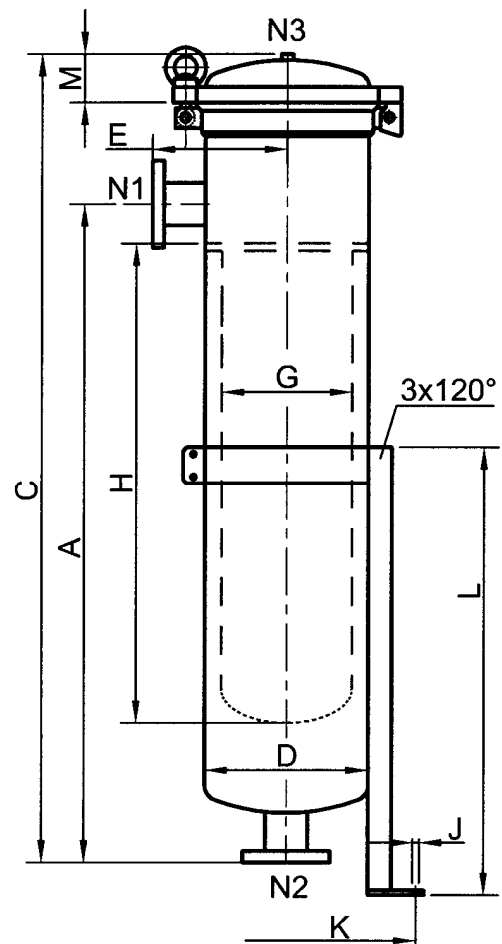
## DELTA-BFS10G

### Technical data

material housing: AISI 304 <sup>1</sup>  
 material support basket: AISI 304 <sup>1</sup>  
 max. allow. pressure: 10 bar  
 max. allow. temperature: 75°C  
 housing seal: O-ring EPDM <sup>2</sup>  
 design calculation : PED 2014/68/EU  
 classification: section 4, paragraph 3  
 (sound engineering practice)

<sup>1</sup> optional material AISI 316 or AISI 316L

<sup>2</sup> optional FEP/FPM or FPM O-ring



Type	DELTA-BF10G-1-1-2	DELTA-BF10G-1-2-2	DELTA-BF10G-1-3-1	DELTA-BF10G-1-4-1
inlet N1	socket 2" BSP optional with flange DN50, PN16	socket 2" BSP optional with flange DN50, PN16	socket 1" BSP optional with flange DN25, PN16	socket 1" BSP optional with flange DN25, PN16
outlet N2	socket 2" BSP optional with flange DN50, PN16	socket 2" BSP optional with flange DN50, PN16	socket 1" BSP optional with flange DN25, PN16	socket 1" BSP optional with flange DN25, PN16
ventilation N3	1/4" BSP	1/4" BSP	1/4" BSP	1/4" BSP
cover closure	hasp screws	hasp screws	hasp screws	hasp screws
filter area in m <sup>2</sup>	0.25	0.5	0.10	0.15
setting up	feet	feet	feet	feet
measure A in mm	550	930	350	450
measure C in mm	740	1120	495	595
measure D in mm	Ø216	Ø216	Ø140	Ø140
measure E in mm	168	168	135	135
measure G in mm	Ø172	Ø172	Ø98	Ø98
measure H in mm	350	730	200	310
measure J in mm	Ø10	Ø10	Ø10	Ø10
measure K in mm	Ø332	Ø332	Ø211	Ø211
measure L in mm	504	704	350	350
measure M in mm	65	65	40	40
volume in litre	23	37	6,3	7,8
weight in kg (empty)	34	43	10	11

Illustration and dimensions are reference values only.

We will prepare a detailed quotation for the individual types on request.

07/16 – Technical changes reserved.