

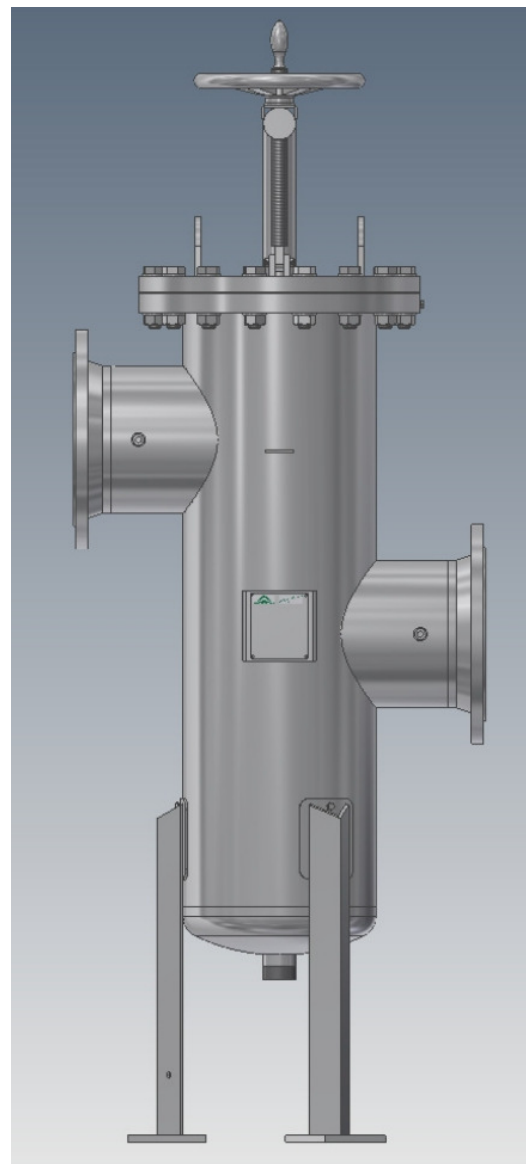
Basket filter TYPE DELTA-SKB-V For Hydrous, Viscose and Super-Viscose Media

The system of DELTAFILTER Filtrationssysteme GmbH is a logic, cost-efficient and environmental-protecting way of filtration.

- Robust and good value filter housing
- In- and outlet offset in height
- Lower weight caused by welded construction
- Quick and easy mounting and dismantling of the high-grade basket of stainless steel
- Long life through large filter area
- Enlarged filter area caused by optimized crossflow
- Low pressure drop
- Filter rates down to 5 µm
- Cover sealing done by flat gasket
- Erection by welded profile feet
- Connections for ventilation and purging are standard
- Connections and holder for differential pressure indicator are standard – add-on kits are available
- Nominal sizes from DN200 to DN500
- Davit

OPTIONAL

- INLINE-design type DELTA-SKB-I
- Differential pressure indicator with or without electrical contact to transmit the signal, magnetic columns, fittings for ventilation and purging etc.
- Nominal sizes acc. customers specification
- Inspection by German TÜV, special materials, internal coatings, high-pressure models etc.



DELTA-SKB-25-V,
material stainless steel

Some branches of industry for example:

Automobile industry, Chemical industry, Paint and lacquer industry, Cosmetic industry, Plastics industry, Beverages and Food industry, Metalworking and steel industry, Mineral oil industry, Paper industry, Water supply companies etc.

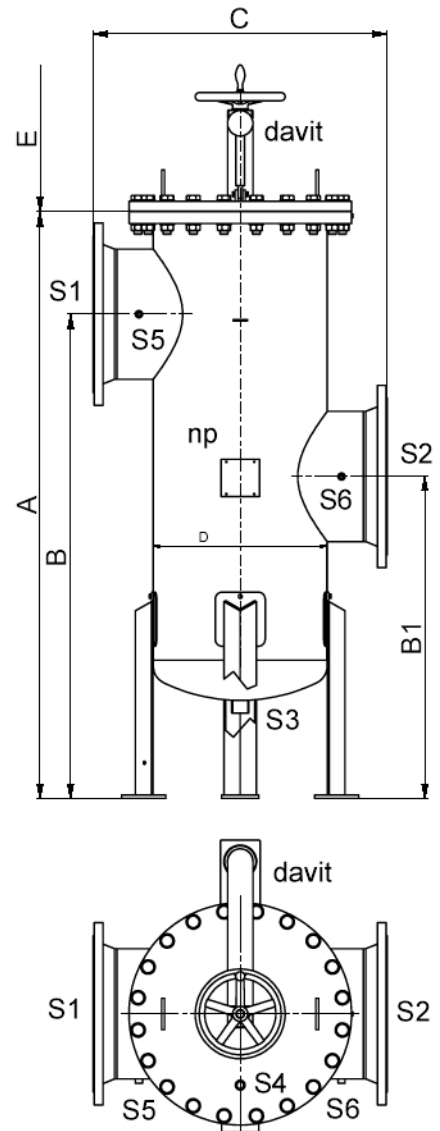
Product Description

Filter system in two parts for the filtration of fluids and gases. The housing is made of a cylindrical steel vessel in welded construction with a torispherical head as bottom and flat cover. The standard fastening of the cover is done with hexagon bolts and nuts. The in- and outlet are at different height and they are opposite. The purging is placed in the middle at the bottom of the housing. The ventilation is on the cover. A holder and two sockets are welded on the vessel. They can be used for the mounting of a differential pressure indicator. There are holes in the feet plates to fasten the housing on the floor. The filter system of DELTAFILTER Filtrationssysteme GmbH is extremely robust and made for extreme working conditions. The solid basket, in which the dirt is collected, can be completely dismantled without any special tools! The basket can be cleaned easily. Many filter accessories are available for an individual adaptation on customer's wishes.

Design and calculation:	PED 2014/68/EU ¹ , AD 2000 ¹
material of housing:	stainless steel 1.4571 ² or carbon steel ¹
cover-closure:	hexagon bolts and nuts of galvanized steel ¹
Max. allow. pressure:	10 bar ¹
Max. allow. temperature:	100°C ¹
corrosion protection: (for carbon steel)	sandblasted inside with preservative painted outside RAL6011 ¹
seals:	flat seals ¹
material of basket:	1.4571/1.4401 stainless steel ¹
standard filter rates:	50 to 5000 µm ³
optional:	special filter rates 5, 10 or 25 µm ³

- ¹ Optional other materials, designs, closures, pressures, temperatures, paintings, internal coatings etc.
² Surface pickled and passivated
³ Optional pleated elements and other filter rates
⁴ other flow capacities on request

DELTA-SKB-20-V to SKB-50-V



Model	SKB-20-V	SKB-25-V	SKB-30-V	SKB-35-V	SKB-40-V	SKB-45-V	SKB-50-V
Flow capacity ⁴ for 50-100 µm (water)	300 m³/h	480 m³/h	600 m³/h	800 m³/h	1000 m³/h	1400 m³/h	2000 m³/h
Filterarea in cm²	5800	5800	11310	11310	17430	17430	24600
Inlet S1 (flange)	DN200 PN16, B1	DN250 PN16, B1	DN300 PN16, B1	DN350 PN16, B1	DN400 PN16, B1	DN450 PN16, B1	DN500 PN16, B1
Outlet S2 (flange)	DN200 PN16, B1	DN250 PN16, B1	DN300 PN16, B1	DN350 PN16, B1	DN400 PN16, B1	DN450 PN16, B1	DN500 PN16, B1
Purging S3	2" BSP	2" BSP	2" BSP	2" BSP	2" BSP	2" BSP	2" BSP
Ventilation S4	3/4" BSP	3/4" BSP	3/4" BSP	3/4" BSP	3/4" BSP	3/4" BSP	3/4" BSP
Diff. pressure (+) S5	1/4" BSP	1/4" BSP	1/4" BSP	1/4" BSP	1/4" BSP	1/4" BSP	1/4" BSP
Diff. pressure (-) S6	1/4" BSP	1/4" BSP	1/4" BSP	1/4" BSP	1/4" BSP	1/4" BSP	1/4" BSP
Size A in mm	1570	1570	2000	2000	2060	2060	2220
Size B in mm	1300	1300	1720	1720	1700	1700	1830
Size B1 in mm	940	940	1250	1250	1130	1130	1220
Size C in mm	760	760	910	910	1030	1030	1270
Size D in mm	Ø355.6	Ø355.6	Ø508	Ø508	Ø609.6	Ø609.6	Ø812.8
Size E in mm	1200	1200	1550	1550	1200	1200	1300
Weight in kg (empty)	205	216	389	412	576	593	1026

Illustration, weights and measures are only indices.

We will prepare a detailed quotation for you.

07/16 – Technical changes reserved!