

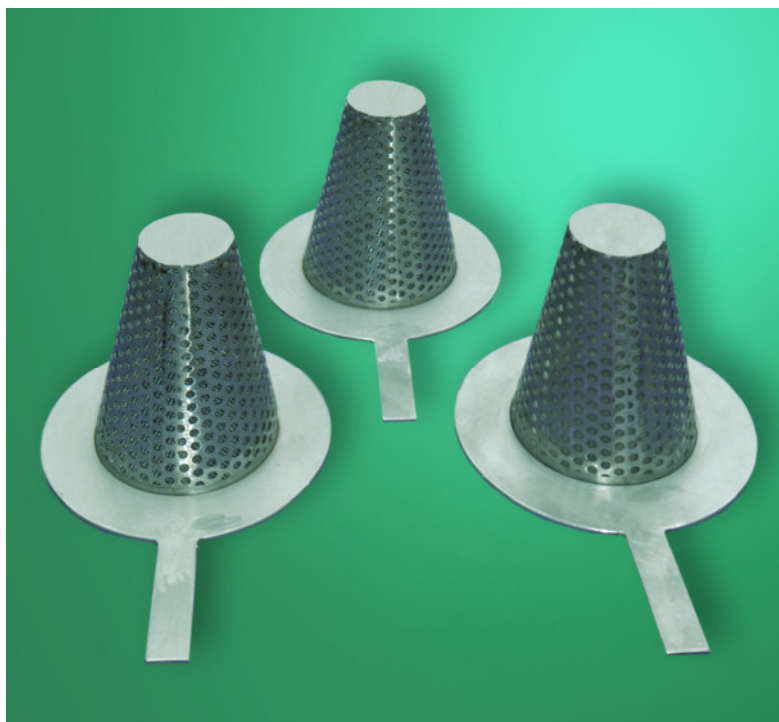
Temporary Strainers TYPE DELTA-HS For Liquid and Gaseous Media

The DELTA-HS is a logic, cost-efficient and environmental-protecting way of filtration. DELTA-HS is the trade name of DELTAFILTER Filtrationssysteme GmbH.

- Large, effective filter surface due to the open-pore fabric structure
- Low, specific filter load due to a high flow
- High cross flow in the weave
- Low pressure drop due optimum ratio of the filter surface to the pipeline cross section ($F_0: R_A \geq 2$)
- High differential pressure stability
- Full-welded construction

OPTIONAL

Special filter rates
Higher pressure stages
Special sealing surfaces
Design for ANSI flanges



DELTA-HS-10

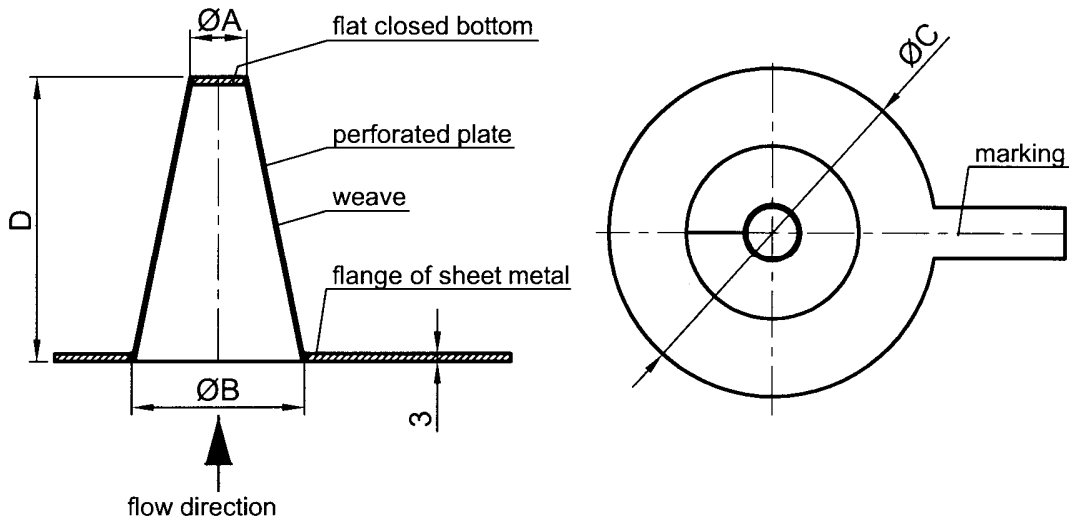
Some branches of industry for example:

Automobile industry
Chemical industry
Electrical industry
Energy producers
Paint and lacquer industry
Semiconductor industry
Cosmetic industry
Plastic industry
Food and beverage industry
Metal and steel industry
Oil industry
Paper industry
Pharmaceutical industry
Piping engineering
Water and waste water supply companies etc.

Please take care of the product description and the technical dimensions on the back ▶

Technical data:

Material of temporary strainer: 1.4571
Material of weave: 1.4401
Filter rates: 250, 500, 1000, 5000 μm
Max. differential pressure: 1.5 bar
Flow direction: from inside to outside
Tolerances: according to DIN ISO 2768



type	pressure stage DIN	dimension A	dimension B	dimension C	dimension D
DELTA-HS-02	PN10-PN40	8.5	21	72	53
DELTA-HS-03	PN10-PN40	10	32	81	84
DELTA-HS-04	PN10-PN40	10	39	92	109
DELTA-HS-05	PN10-PN40	22	50	107	100
DELTA-HS-06	PN10-PN40	22	67	127	160
DELTA-HS-08	PN10-PN40	22	79	142	106
DELTA-HS-10	PN10-PN16	22	104	162	153
DELTA-HS-12	PN10-PN16	20	126	191	153
DELTA-HS-15	PN10-PN16	22	155	218	183
DELTA-HS-20	PN10-PN16	22	200	273	245
DELTA-HS-25	PN10-PN16	33	250	328	244
DELTA-HS-30	PN10-PN16	33	300	378	299
DELTA-HS-35	PN10-PN16	33	330	438	334
DELTA-HS-40	PN10-PN16	33	380	489	388
DELTA-HS-50	PN16	33	482	594	488

Larger temporary strainers on request! All dimensions are reference values only.

We will prepare a detailed quotation for the individual types on request.

07/18 Technical changes reserved!