

Self-Cleaning Filters

MODEL DELTA-STRAIN 1920-S/L

For Hydrous, Viscose and Super-Viscose Media

The DELTA-STRAIN is a logic, cost-efficient and environmental-protecting way of filtration. DELTA-STRAIN is the trade name of DELTAFILTER Filtrationssysteme GmbH.

- No cartridge filters waste
- Self-cleaning without interruption of process
- Robust and user-friendly filter housing in two parts
- Closure with segment-screw clamps
- Low operating costs due to a long service life
- No special spare part stockholding is necessary
- Simple and time-saving maintenance – no dismounting of pipelines
- Internal filter parts are removable upwards
- Filter rates nominal from 25 µm – 3000 µm

OPTIONS

⊕-protection ATEX-conformable acc. directive 2014/34/EU, perforated elements for gel-like particles, fibres, algae etc., special voltage, special seals, automatic drain-system, sluices, heating jacket, differential pressure indicator, TÜV acceptance etc.

Some branches of industry for example:

Automobile industry
Chemical industry
Electronics industry
Dye, paint and lacquer industry
Semiconductor industry
Cosmetic industry
Plastics industry
Beverages and food industry
Metalworking and steel industry
Mineral oil industry
Paper industry
Water supply and wastewater treatment companies etc.



DELTA-STRAIN 1920-S/L,
1.4571, 10 bar

Please take care of the product description and the technical dimensions on the back ▶

Product Description

The filter housing, constructed of two parts, has a cover with motor-holder and gear-motor. The cover including the motor and motor holder can be dismantled upwards. The closure is done by segment-screw clamps. The filter system of DELTAFILTER Filtrationssysteme GmbH is extremely robust and is designed for extreme applications. The filter elements with cleaning-system can be dismantled upwards as one unit without special tools. The dirt is removed from the filter elements by two flexible scraper-blades of stainless steel and sinks downwards in the mud reservoir of the sump. The dirt can be discharged by a manual ball-valve or optional by an automatic cut of device, which can be controlled by the time or by the differential pressure. Liquid losses are limited. Sluices can be delivered optionally for the concentration of the dirt. The standard type of the filter housing has two dummy sheets.

Technical data

Design and calculations: PED 2014/68/EU, AD2000

Material of housing: 1.4571 (316Ti) ^{1,2}

Material of filter element: 1.4404 (316L),
1.4435 (316L)
1.4571 (316Ti)

Material of other internal parts: 1.4571 (316Ti), 1.4310

Max. allowable pressure: 10 bar ¹

Max. allow. temperature: 80°C ¹

Housing gasket: O-ring FPM

Filter rates nominal: 25 µm – 3000 µm ³

Weight (empty): ca. 285 kg

Drive: gear-motor

Motor data: 400 V, 50 Hz, 250 W ¹

Motor protection: IP65 ¹

Flow capacity for:
(in relation to clean water)

50 µm	100 µm	150 µm and coarser
144 m ³ /h	180 m ³ /h	250 m ³ /h

Connections

S1 Inlet	DN200, PN16, Form B1
S2 Outlet	DN200, PN16, Form B1
S3 Discharge	DN80, PN16, Form B1
S4 Ventilation	BSP 3/8" with ball-valve and hose nipple
S5 Differential pressure (+)	BSP 1/4" inner thread
S6 Differential pressure (-)	BSP 1/4" inner thread

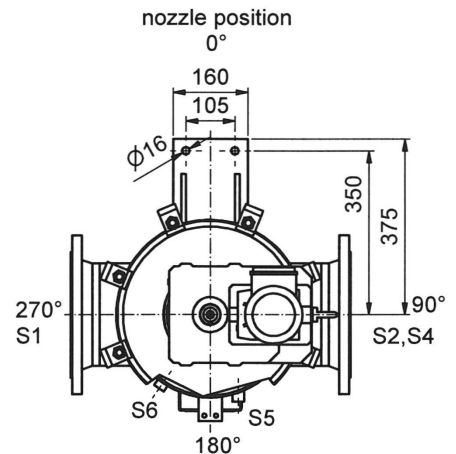
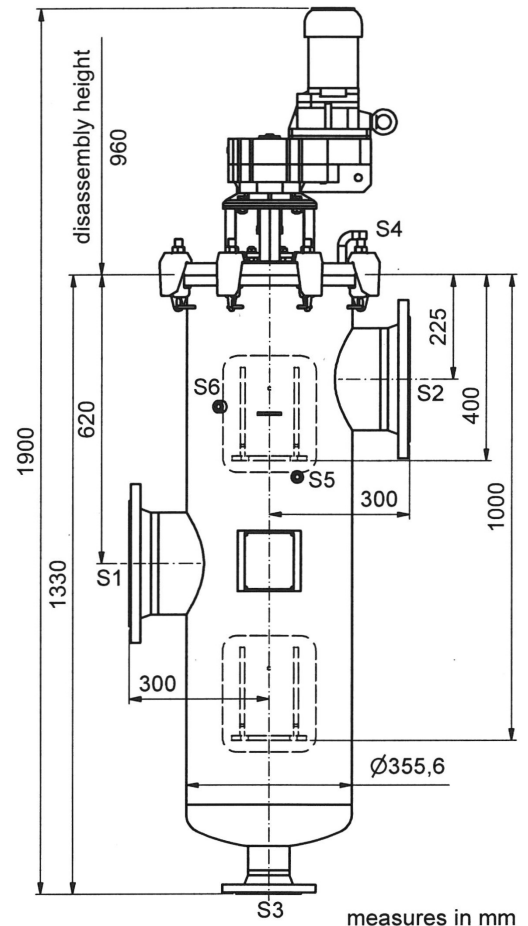
Illustration, weights and measures are only indices.

We manufacture self-cleaning filters in special construction and alternative material! Our self-cleaning filters, model DELTA-STRAIN, are available for flow capacities up to 250 m³/h as standard versions – higher flow capacities on request.

We will prepare a detailed quotation for you. Test filters are available.

07/16 - Technical changes reserved!

DELTA-STRAIN 1920-S/L



¹ Optional other materials, pressures, temperatures, voltages, protection ratings etc.

² Surface pickled and passivated

³ Optional perforated elements (gel-like particles, fibres, algae etc.)