

# Multi-Bag-Filter TYPE DELTA-BFS10 For Hydrous, Viscose and Super-Viscose Media

The DELTA-BFS10 is a logic, cost-efficient and environmental-protecting way of filtration. DELTA-BFS10 is the trade name of DELTAFILTER Filtrationssysteme GmbH.

- Robust and user-friendly filter housing made of stainless steel, surface pickled and passivated
- Pressure rating PN10 for the housing
- INLINE-design: In- and outlet on the same height
- Designed for filtration of fluids group 2 (non-dangerous)
- Cover lock with hasp screws and eye nuts of stainless steel
- housing sealed with O-ring
- Quick and simple fitting and removal of filter bags and high quality support baskets
- The support baskets together with the filter bags are self-adjusting and self-sealing
- Support baskets of stable stainless steel perforated plate with large, free surface for mounting filter bags with plastic collars
- High flow rates and long service life
- Large filter area in use with several filter bags
- Erected with welded feet
- Davit for the cover

## OPTIONAL

- Vent valve, drain valve, displacers, different nozzle sizes acc. requirement etc.



Multi-Bag-Filter  
DELTA-BFS10-6-2-4-304-F



Mounting plate with 14  
support baskets for filter bags

## Examples of industrial applications:

Dye and paint industry, water treatment, automotive industry, chemical industry, electronics industry, semi conductor industry, clarification plant operators, cosmetic industry, plastics industry, food and drink industry, metal industry, mineral oil industry, optics industry, paper industry, pharmaceutical industry, steel industry, water utility etc.

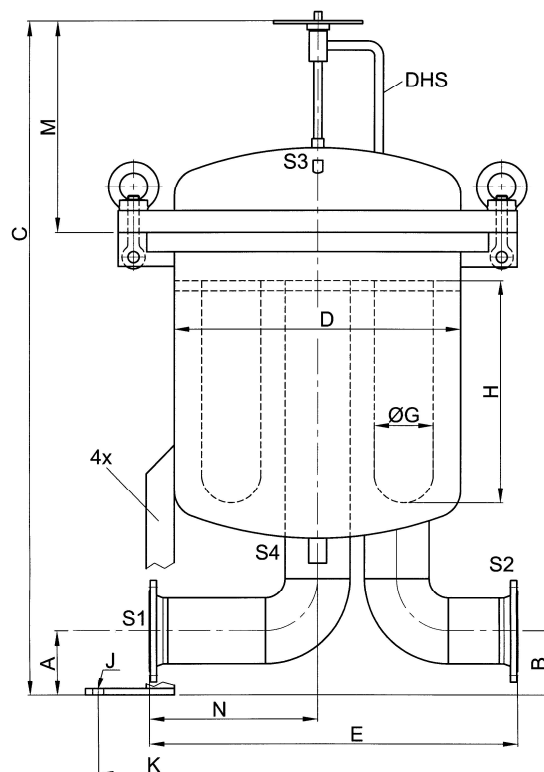
## Product description

Two part filter housing with domed cover. The cover is closed by hasp screws and eye nuts. The housing is sealed with an O-ring. The filter system is extremely robust and designed for extreme applications. The filter housing is delivered with welded feet and a cover lever swivel device as standard. The filter bags and support baskets are self-adjusting and self-sealing. Thereby the mounting and dismounting is very easy. A complex cleaning of single parts is not necessary.

## Technical data

material housing:	AISI 304 (1.4301) <sup>1</sup>
material support basket:	AISI 304 (1.4301) <sup>1</sup>
max. allowable pressure:	10 bar
max. allowable temperature:	75°C
housing seal:	O-Ring EPDM <sup>2</sup>
design:	PED 2014/68/EU
classification:	section 4, paragraph 3 (sound engineering practice)
number / type of filter bags:	4 to 14 pieces / size 2

## Multi-Bag-Filter DELTA-BFS10



<sup>1</sup> Optional material AISI 316 (1.4401)  
or AISI 316L (1.4404)  
<sup>2</sup> Optional FEP/FPM or FPM O-ring

Type	DELTA-BFS10-4-2-4	DELTA-BFS10-6-2-4	DELTA-BFS10-8-2-6	DELTA-BFS10-10-2-8	DELTA-BFS10-12-2-8	DELTA-BFS10-14-2-10
inlet S1	flange DN100, PN16	flange DN100, PN16	flange DN150, PN16	flange DN200, PN16	flange DN200, PN16	flange DN250, PN16
outlet S2	flange DN100, PN16	flange DN100, PN16	flange DN150, PN16	flange DN200, PN16	flange DN200, PN16	flange DN250, PN16
ventilation S3	R 1/2" BSP	R 1/2" BSP	R 1/2" BSP	R 1/2" BSP	R 1/2" BSP	R 1/2" BSP
drain S4	R 2" BSP	R 2" BSP	R 2" BSP	R 2" BSP	R 2" BSP	R 2" BSP
cover closure	hasp screws	hasp screws	hasp screws	hasp screws	hasp screws	hasp screws
filter area in m <sup>2</sup>	2,0	3,0	4,0	5,0	6,0	7,0
filter bags	4	6	8	10	12	14
measure A in mm	127	127	152	184	184	216
measure B in mm	127	127	152	184	184	216
measure C in mm	1552	1562	1842	2113	2158	2267
measure D in mm	Ø560	Ø600	Ø762	Ø864	Ø965	Ø965
measure E in mm	737	763	991	1067	1130	1219
measure G in mm	Ø172	Ø172	Ø172	Ø172	Ø172	Ø172
measure H in mm	730	730	730	730	730	730
measure J in mm	Ø14	Ø14	Ø14	Ø14	Ø14	Ø14
measure K in mm	Ø704	Ø744	Ø962	Ø1064	Ø1215	Ø1215
measure M in mm	410	415	545	685	710	710
measure N in mm	407	407	559	584	597	686
volume in litre	245	278	491	664	852	942
weight in kg (empty)	169	202	450	600	725	810

Illustration, dimensions and weights are reference values only.

We will prepare a detailed quotation for the individual types on request.

07/16 Technical changes reserved.